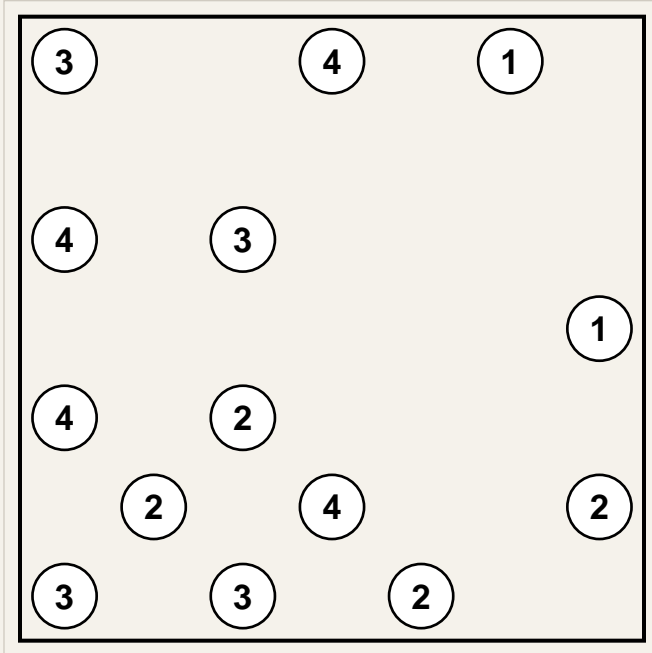
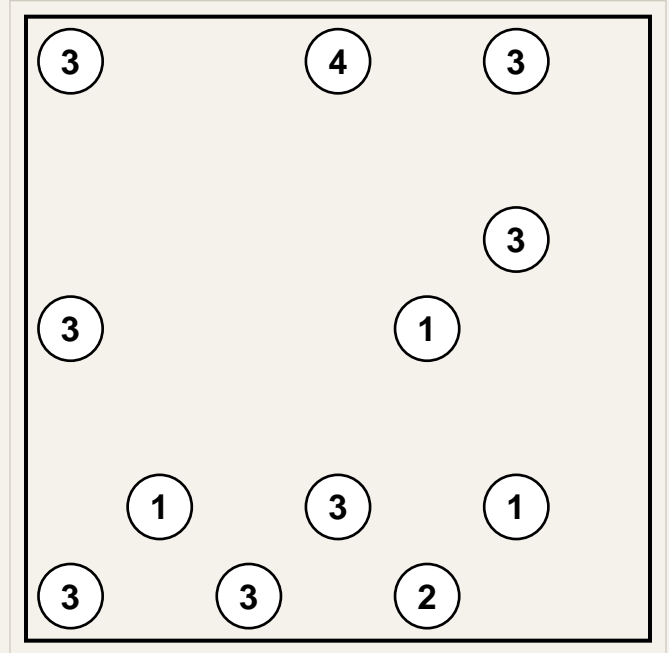


Hashi – Pack 13

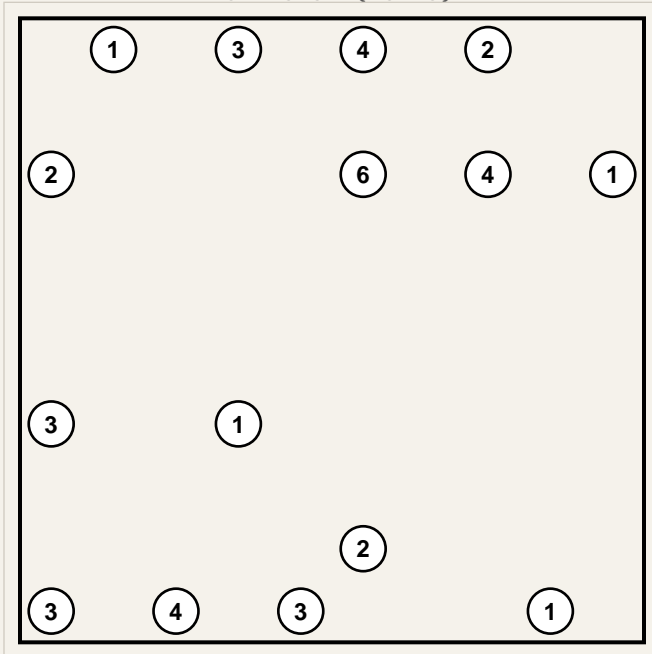
Puzzle 1 (7x7)



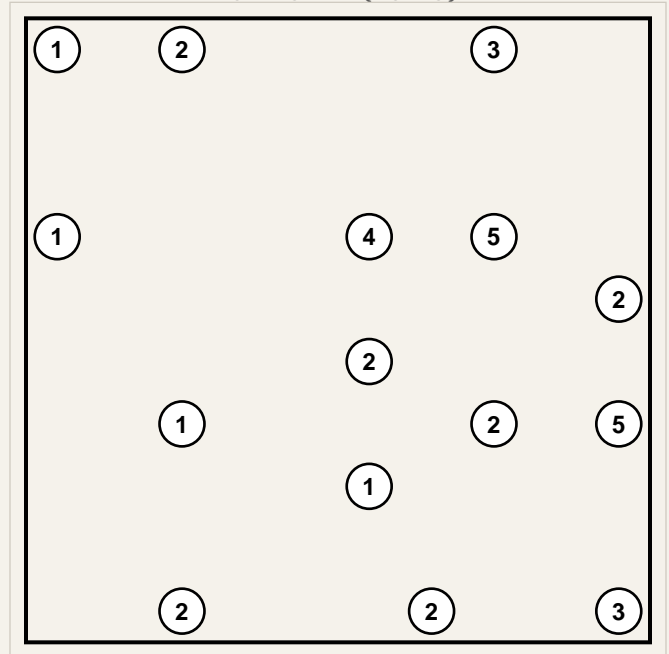
Puzzle 2 (7x7)



Puzzle 3 (10x10)

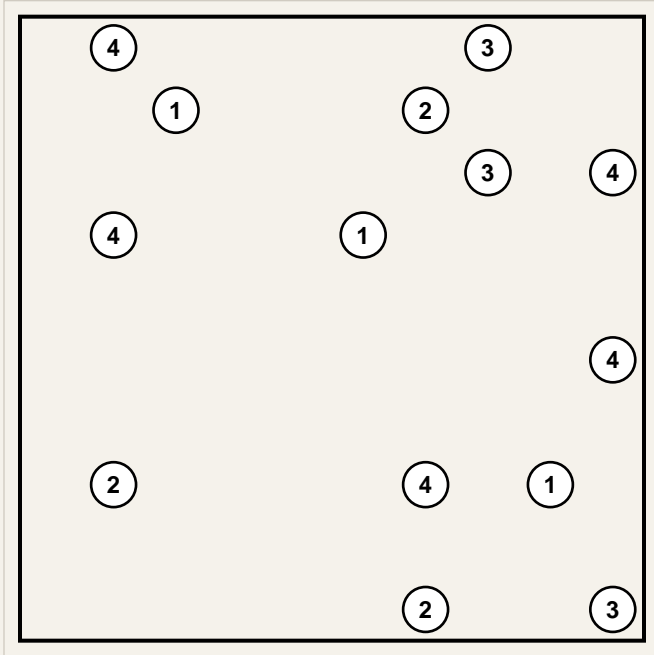


Puzzle 4 (10x10)

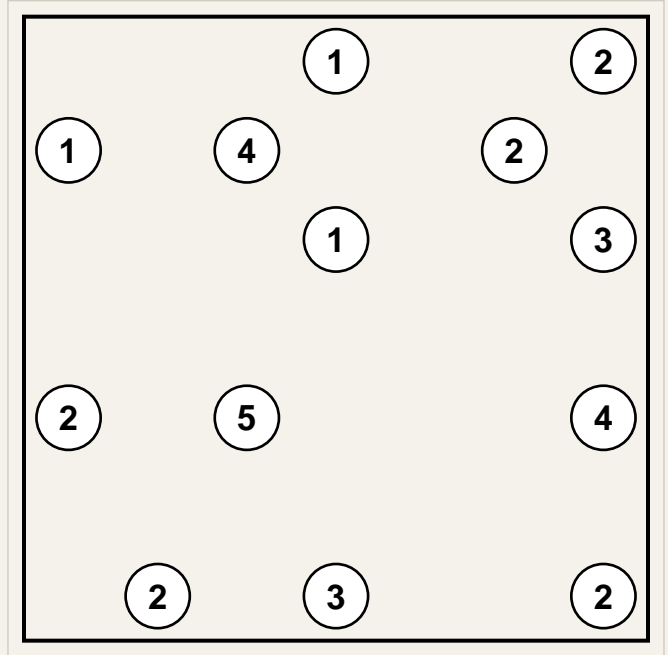


Hashi – Pack 13

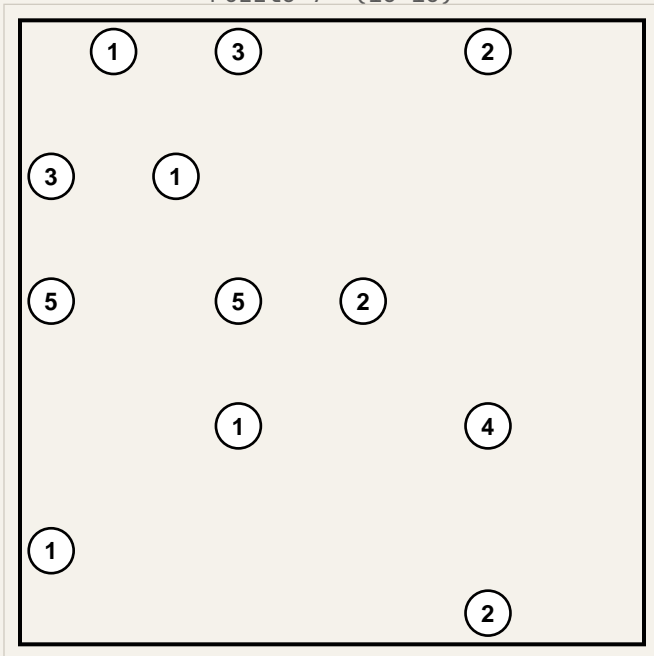
Puzzle 5 (10x10)



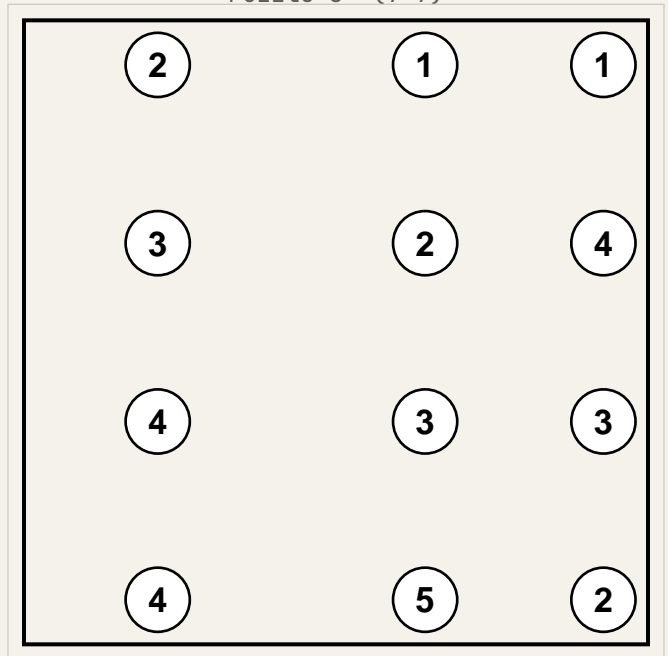
Puzzle 6 (7x7) grid with numbers 1, 2, 3, 4, 5.



Puzzle 7 (10x10) grid with numbers 1, 2, 3, 4, 5.

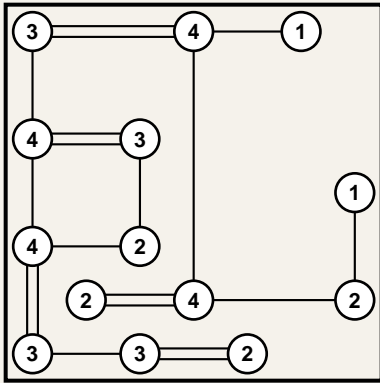


Puzzle 8 (7x7) grid with numbers 1, 2, 3, 4, 5.

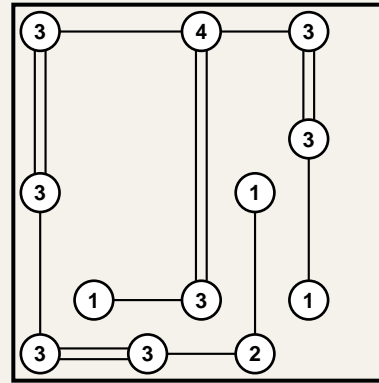


Answer Key

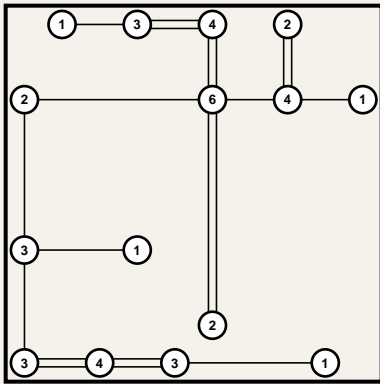
Puzzle 1



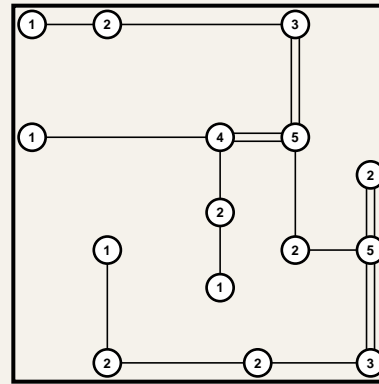
Puzzle 2



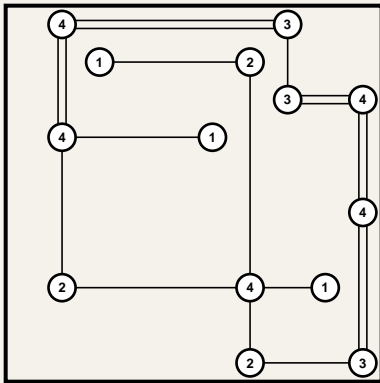
Puzzle 3



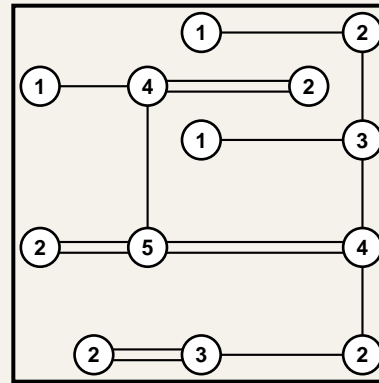
Puzzle 4



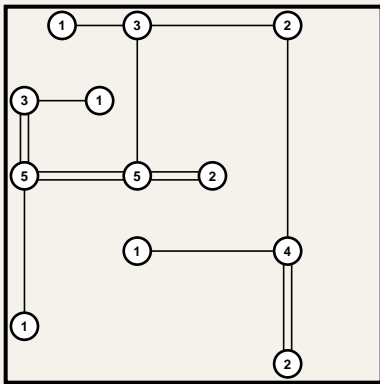
Puzzle 5



Puzzle 6



Puzzle 7



Puzzle 8

