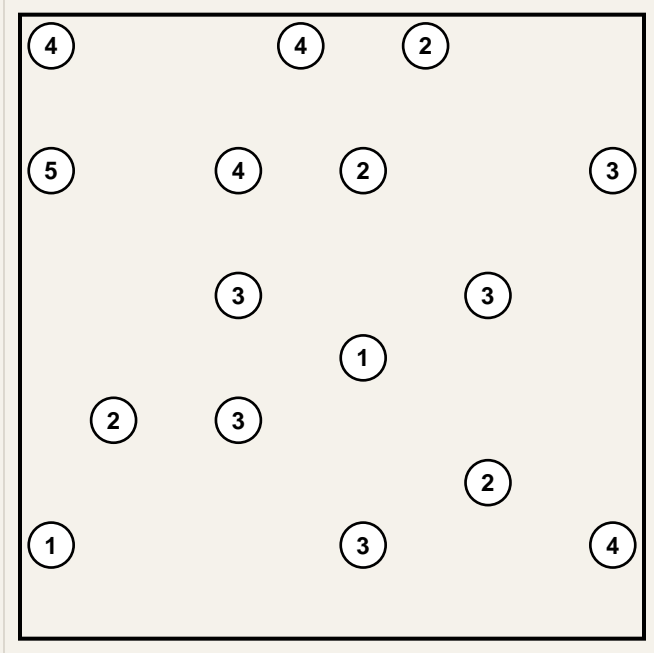
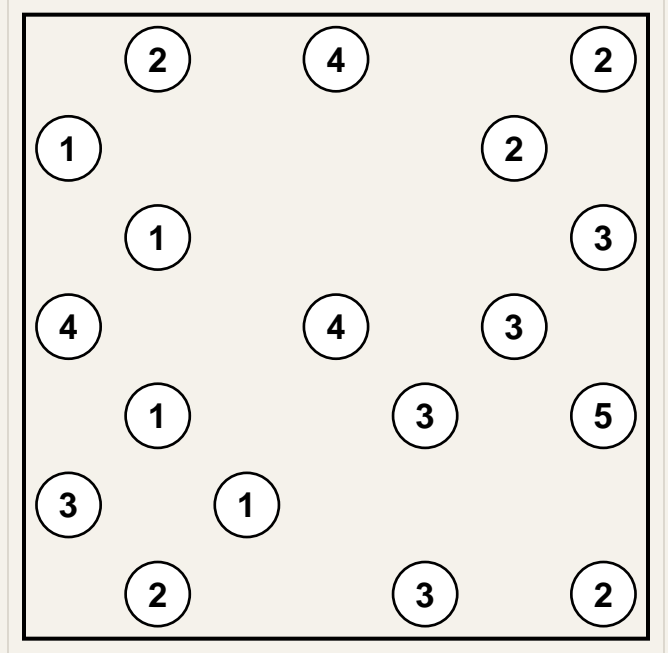


Hashi – Pack 1

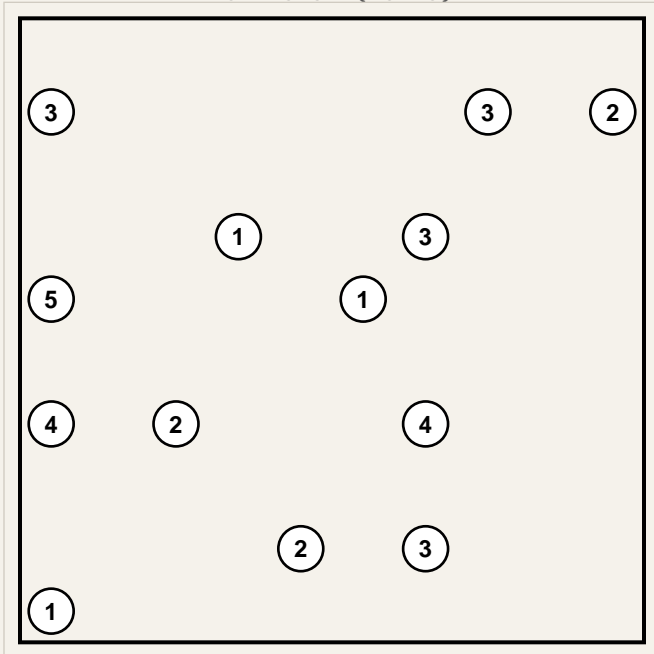
Puzzle 1 (10x10)



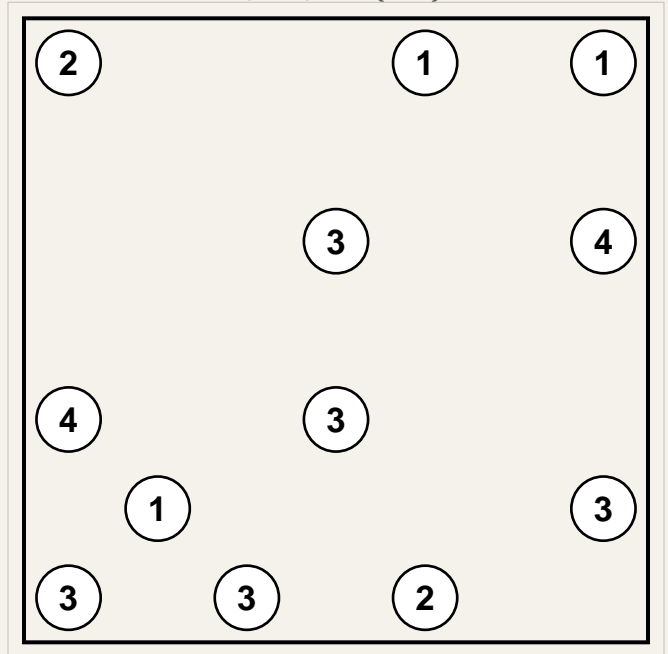
Puzzle 2 (7x7)



Puzzle 3 (10x10)

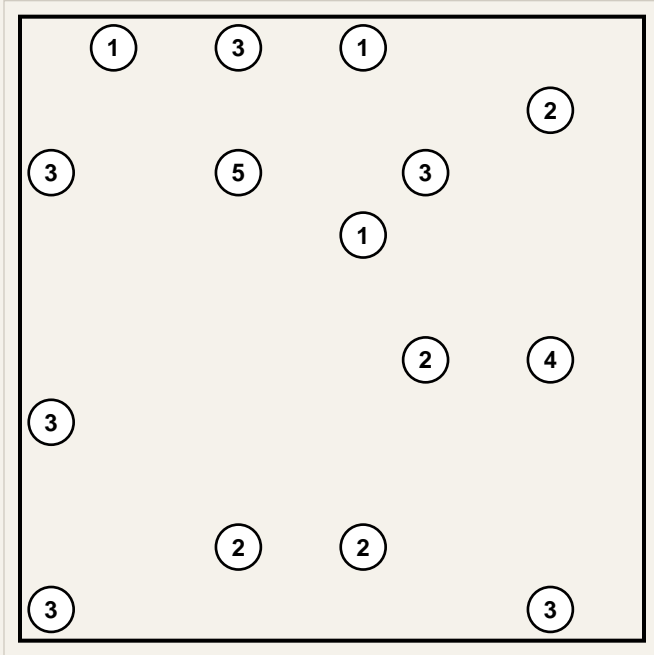


Puzzle 4 (7x7)

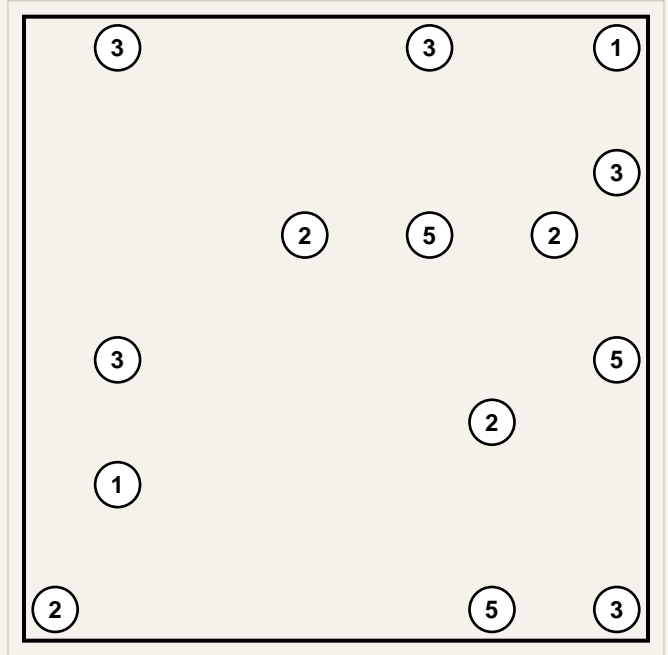


Hashi – Pack 1

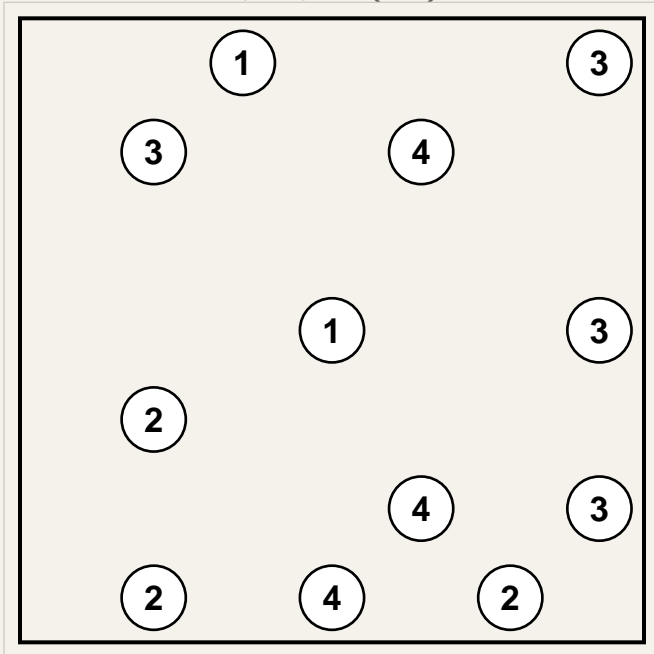
Puzzle 5 (10×10)



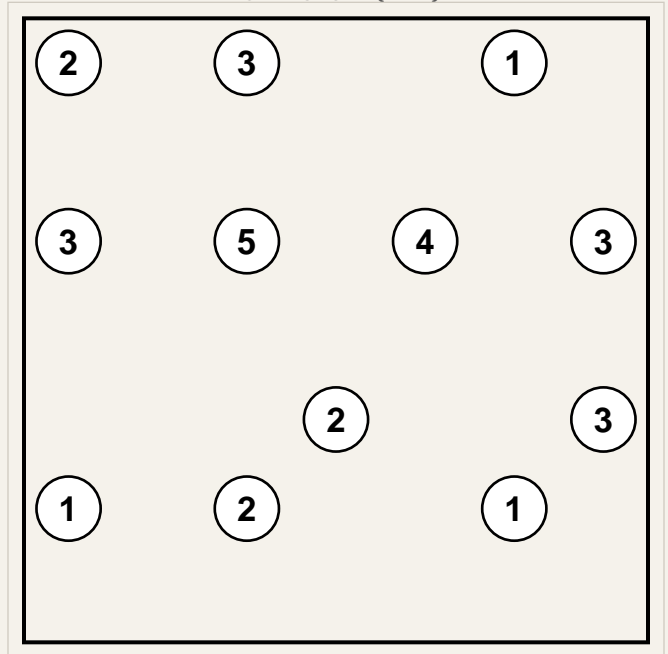
Puzzle 6 (10×10)



Puzzle 7 (7×7)

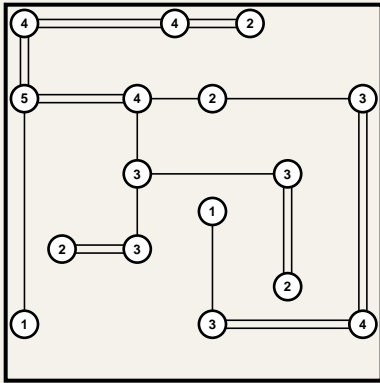


Puzzle 8 (7×7)

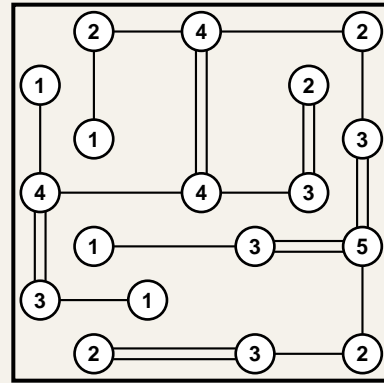


### Answer Key

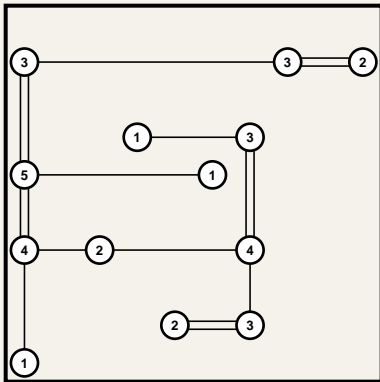
Puzzle 1



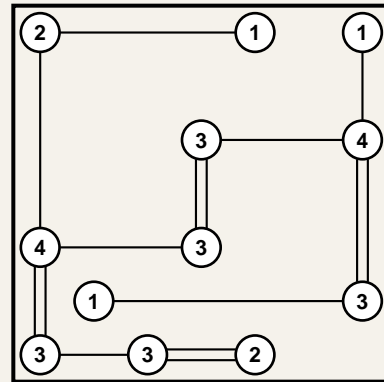
Puzzle 2



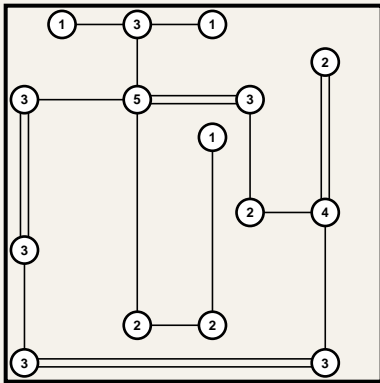
Puzzle 3



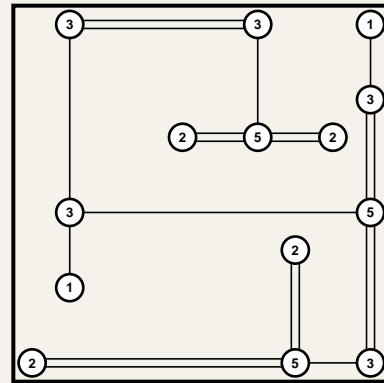
Puzzle 4



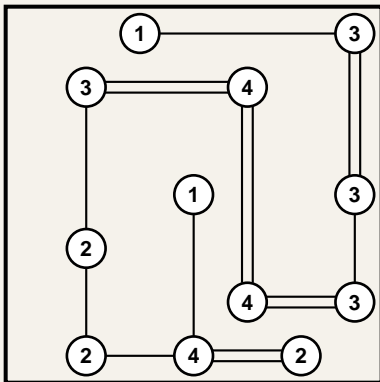
Puzzle 5



Puzzle 6



Puzzle 7



Puzzle 8

