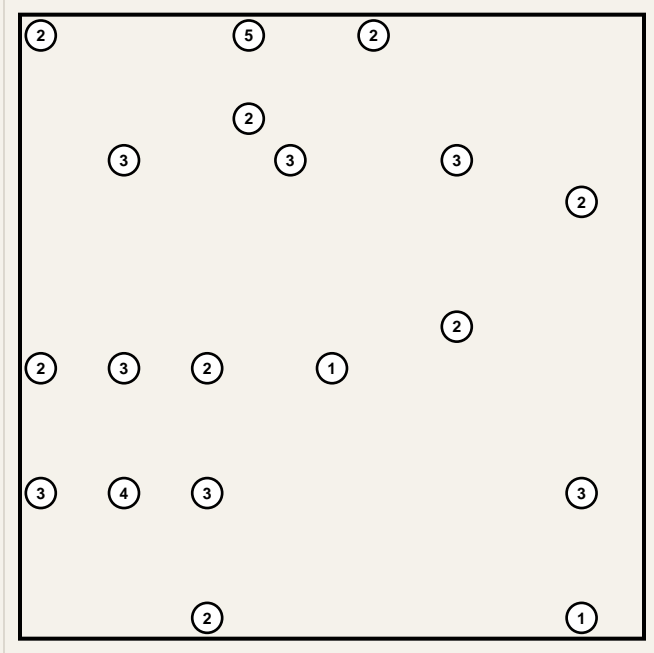
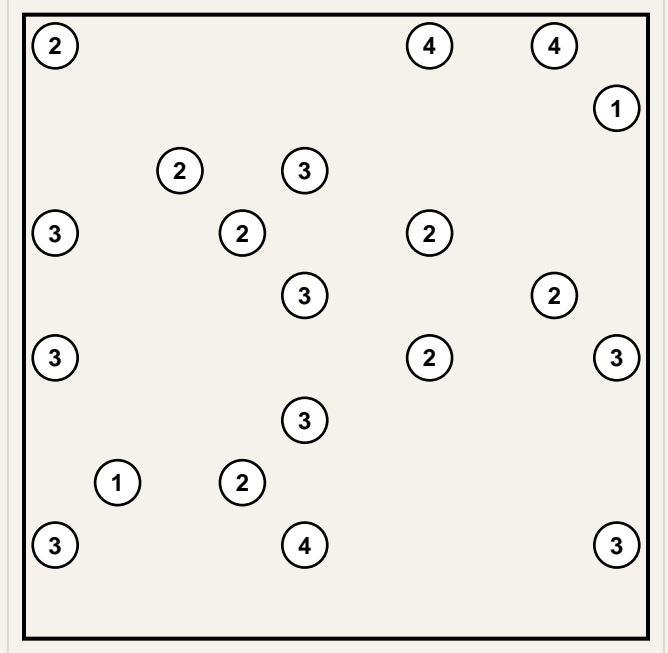


Hashi – Pack 25

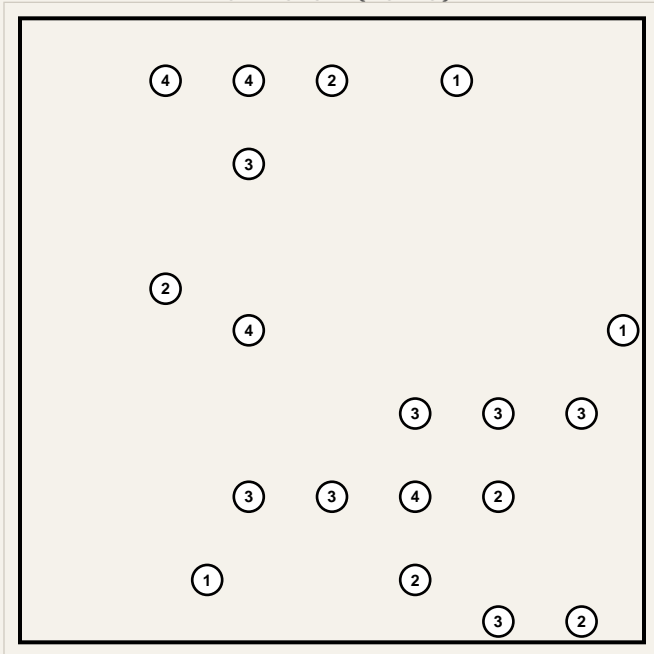
Puzzle 1 (15×15)



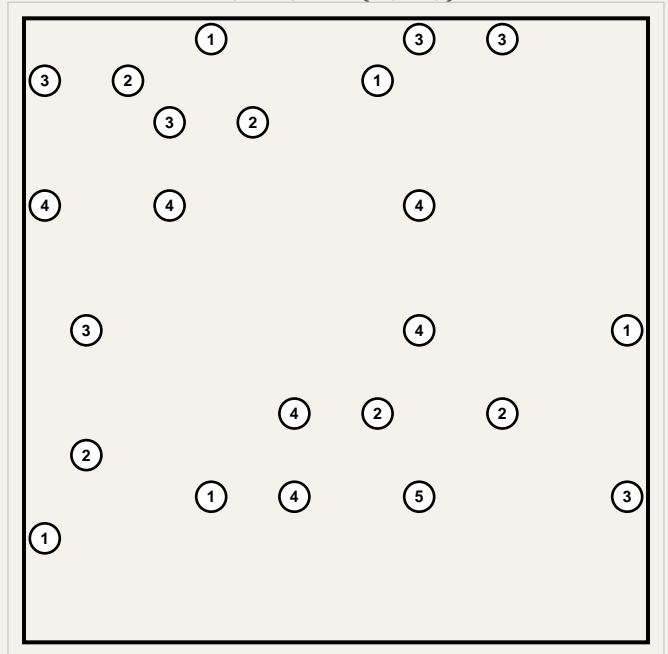
Puzzle 2 (10×10)



Puzzle 3 (15×15)

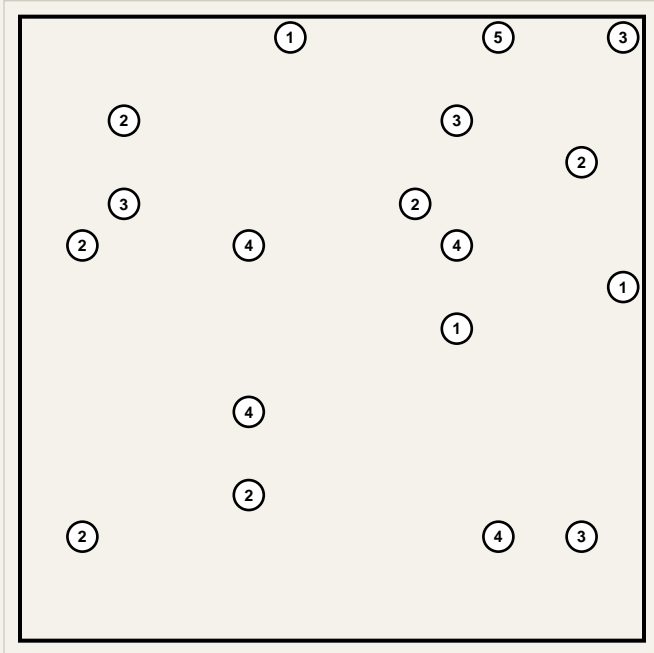


Puzzle 4 (15×15)

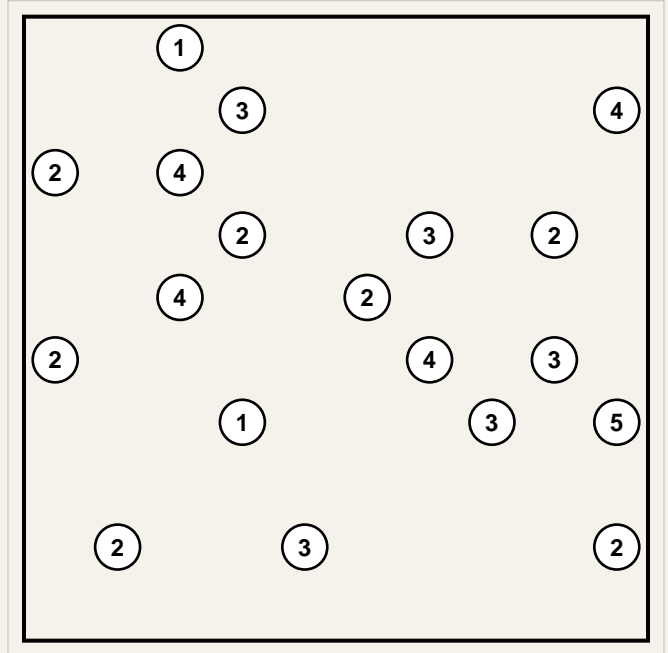


Hashi – Pack 25

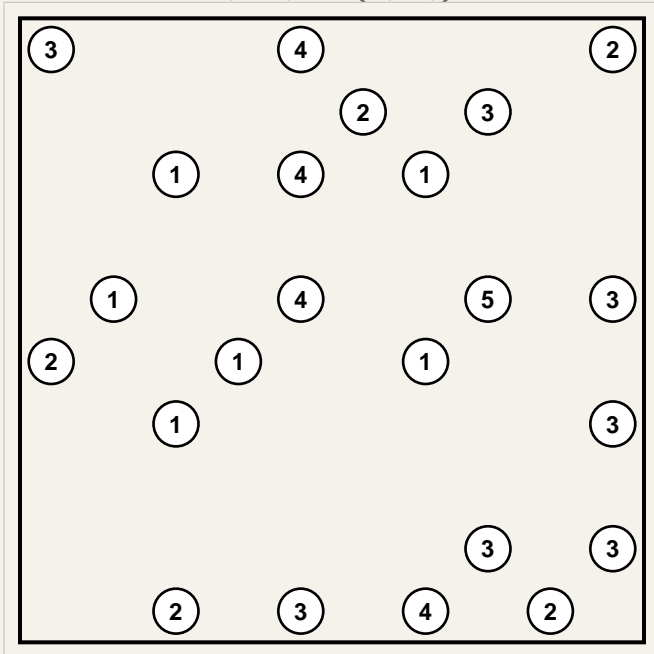
Puzzle 5 (15x15)



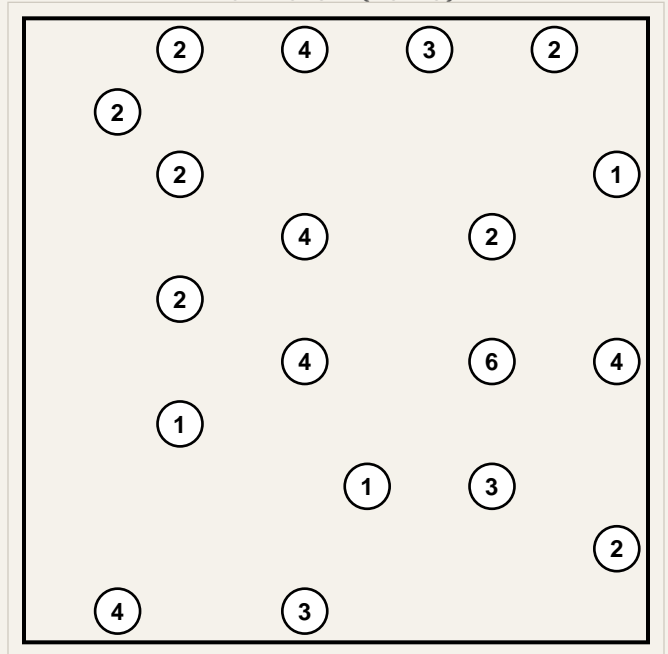
Puzzle 6 (10x10)



Puzzle 7 (10x10)

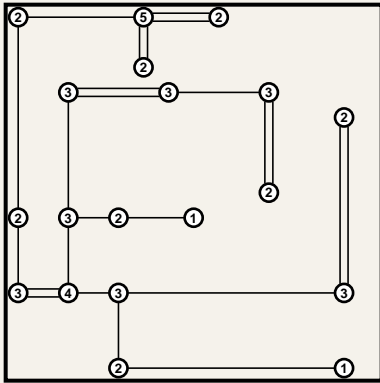


Puzzle 8 (10x10)

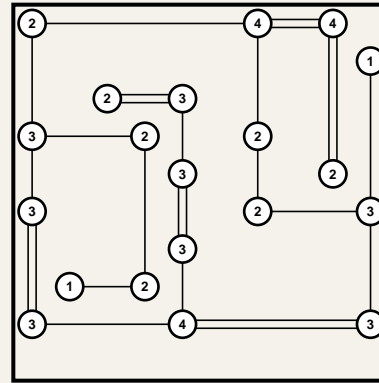


Answer Key

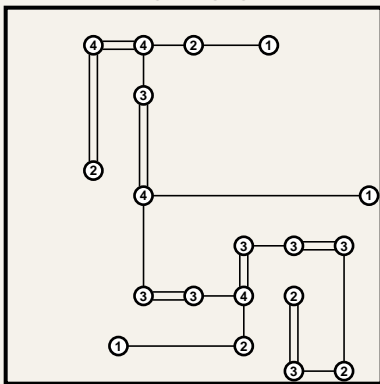
Puzzle 1



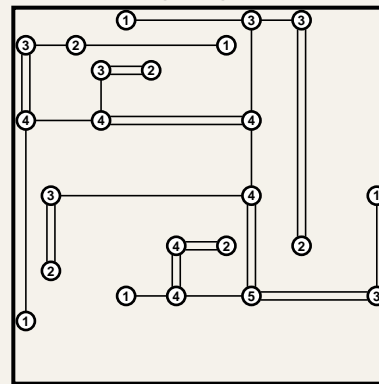
Puzzle 2



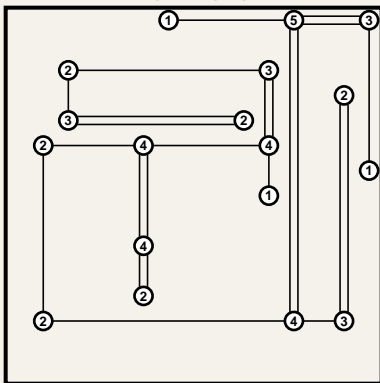
Puzzle 3



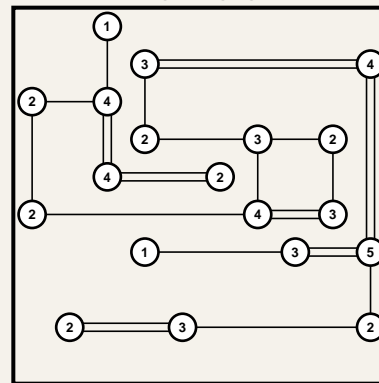
Puzzle 4



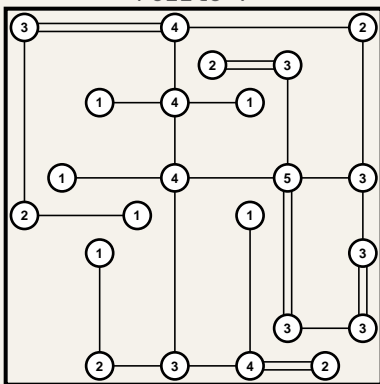
Puzzle 5



Puzzle 6



Puzzle 7



Puzzle 8

