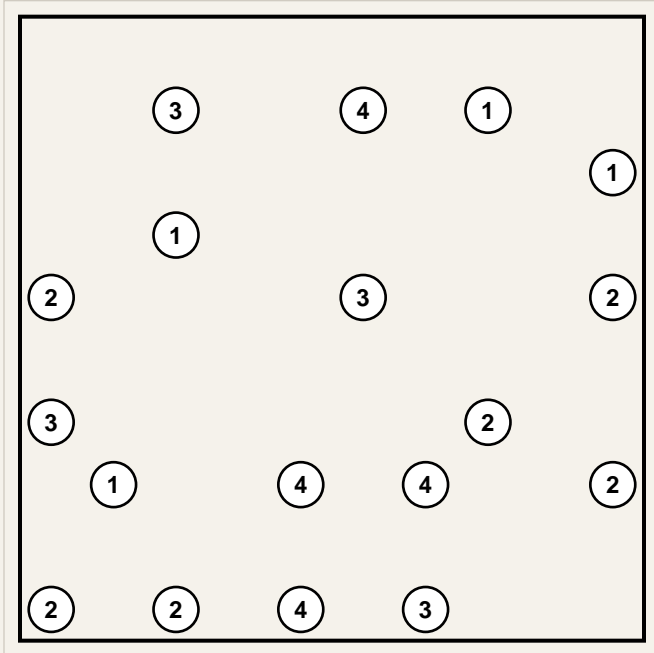
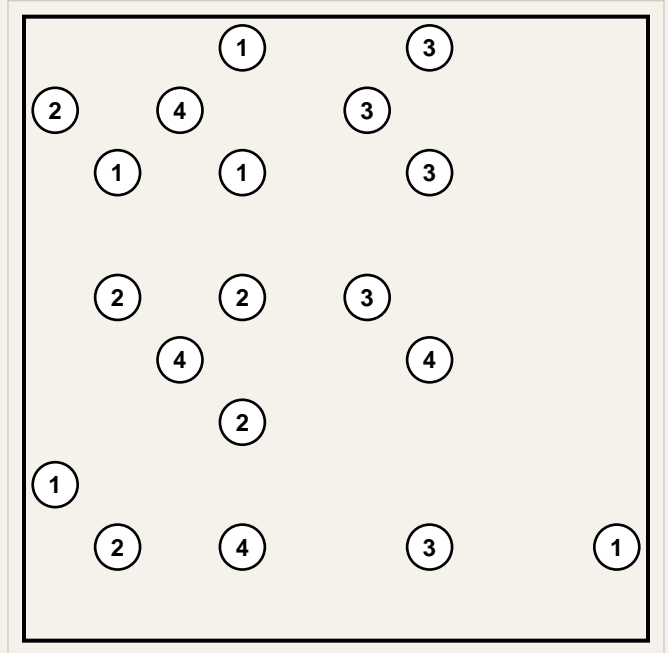


Hashi – Pack 24

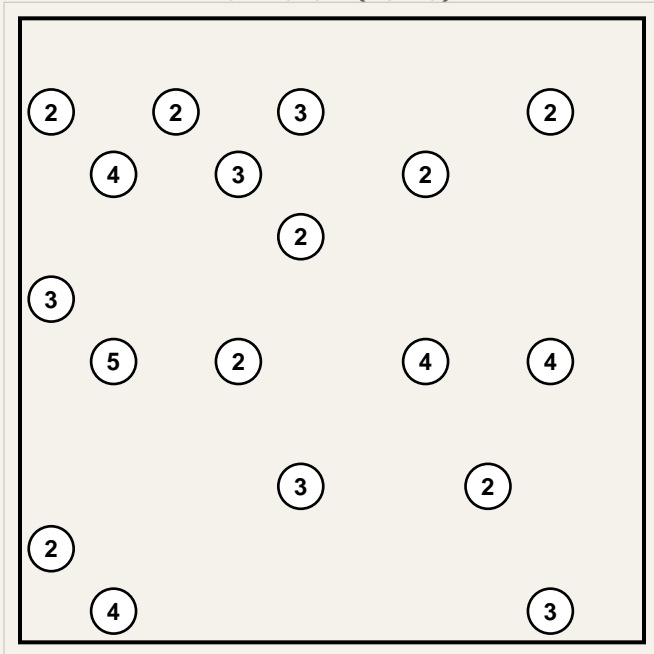
Puzzle 1 (10×10)



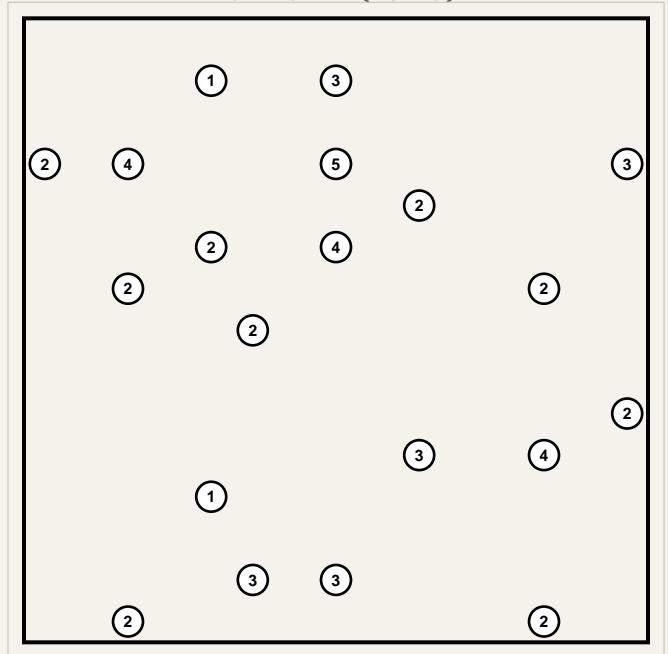
Puzzle 2 (10×10)



Puzzle 3 (10×10)



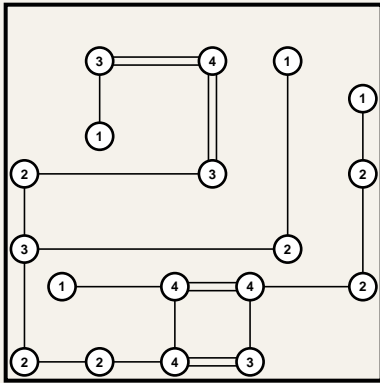
Puzzle 4 (15×15)



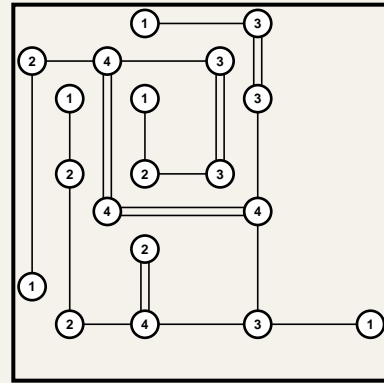


# Answer Key

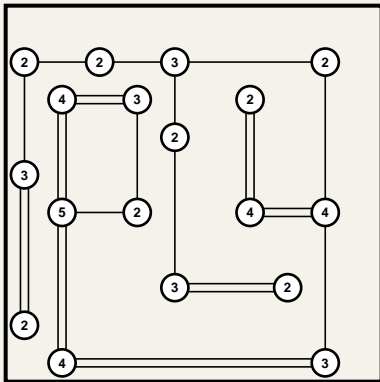
Puzzle 1



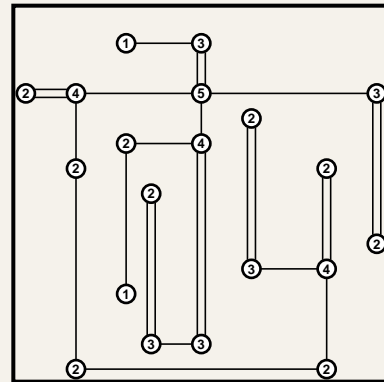
Puzzle 2



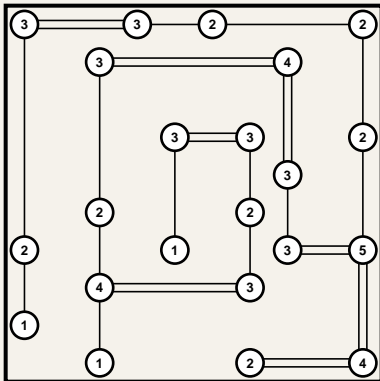
Puzzle 3



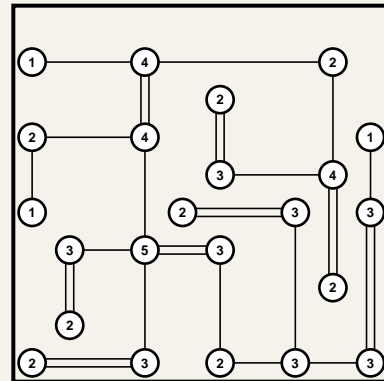
Puzzle 4



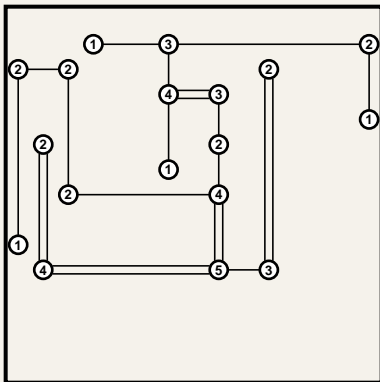
Puzzle 5



Puzzle 6



Puzzle 7



Puzzle 8

