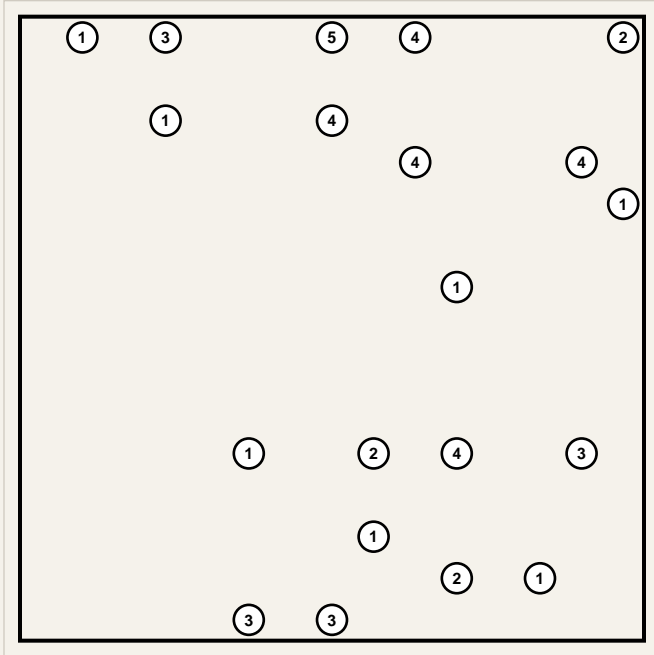
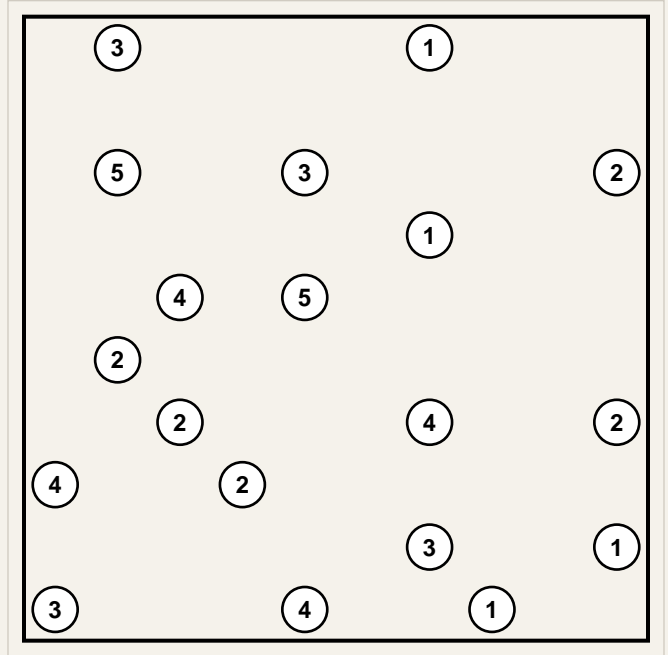


Hashi – Pack 18

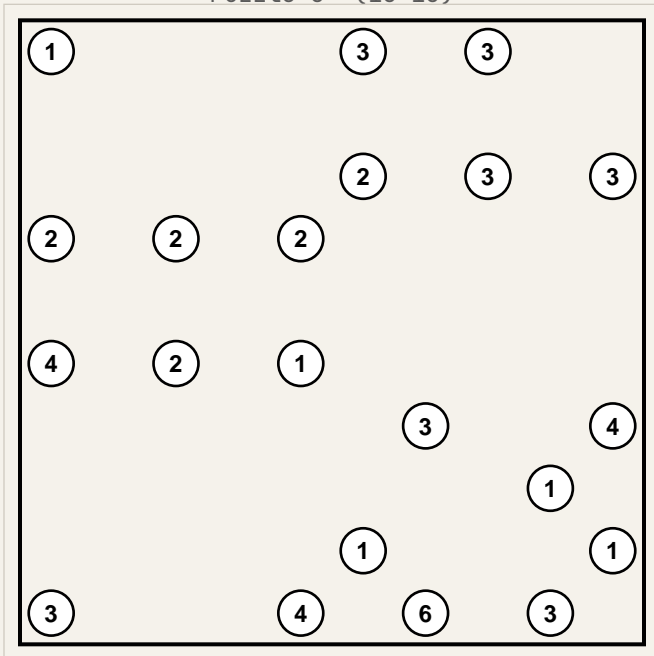
Puzzle 1 (15×15)



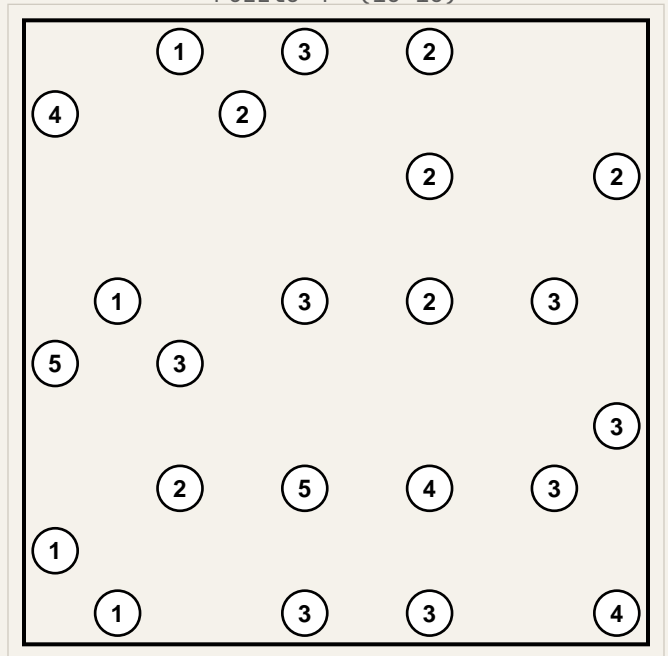
Puzzle 2 (10×10)



Puzzle 3 (10×10)

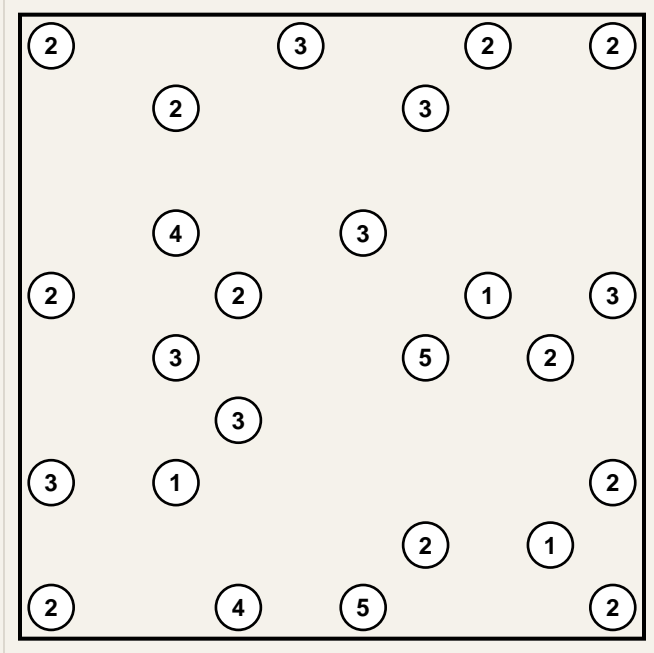


Puzzle 4 (10×10)

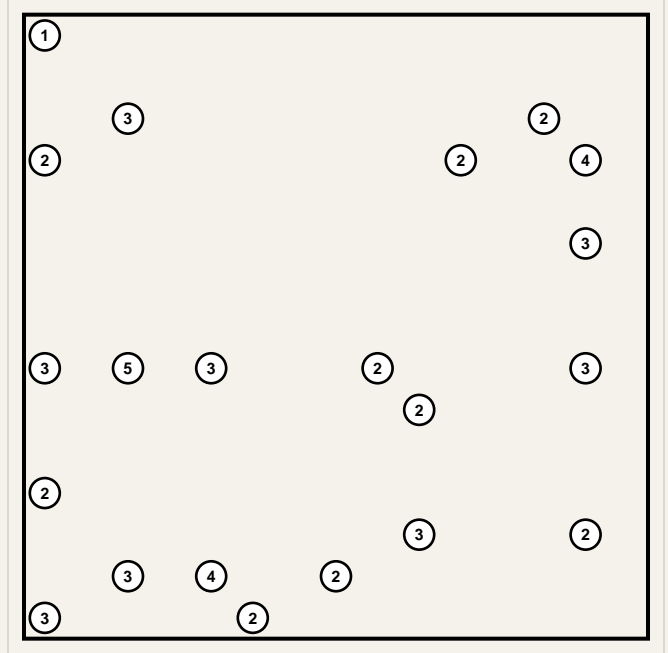


Hashi – Pack 18

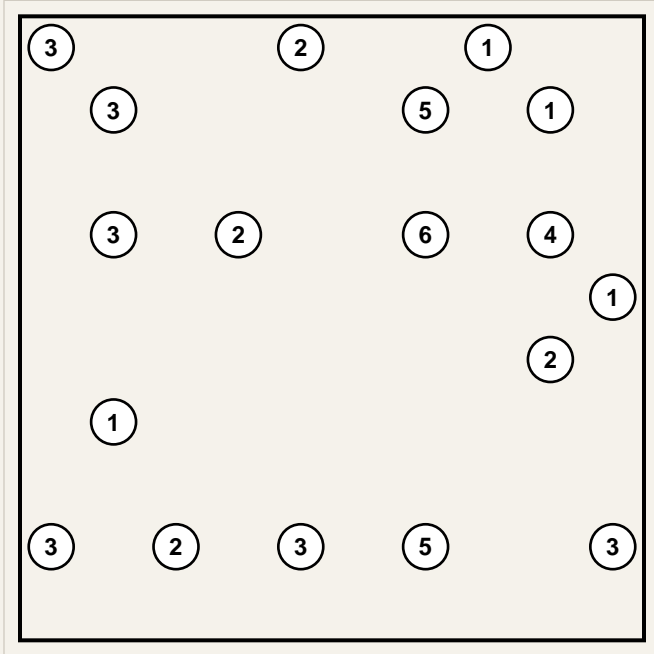
Puzzle 5 (10×10)



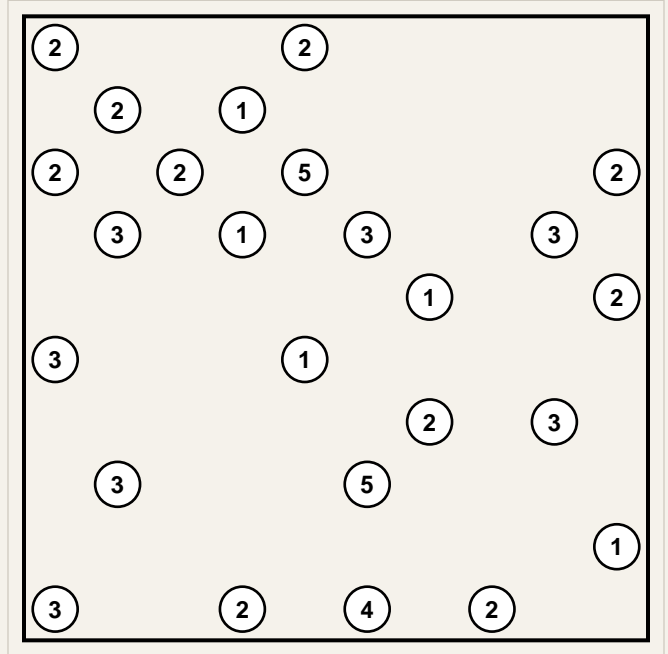
Puzzle 6 (15×15)



Puzzle 7 (10×10)

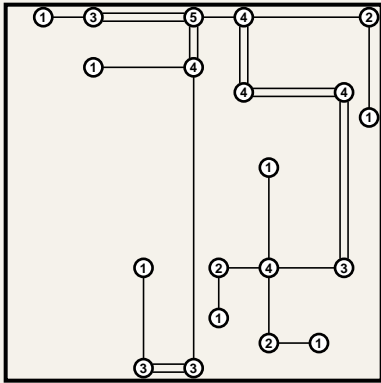


Puzzle 8 (10×10)

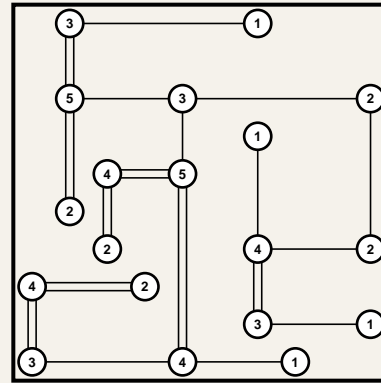


### Answer Key

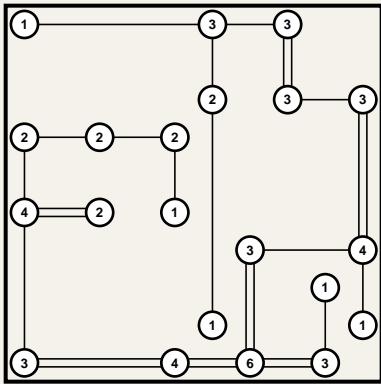
Puzzle 1



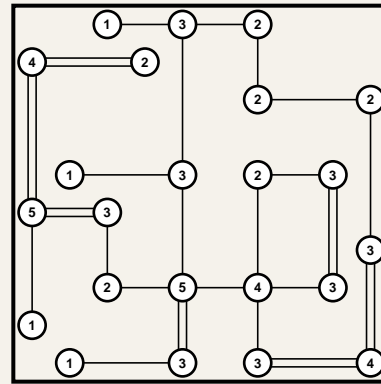
Puzzle 2



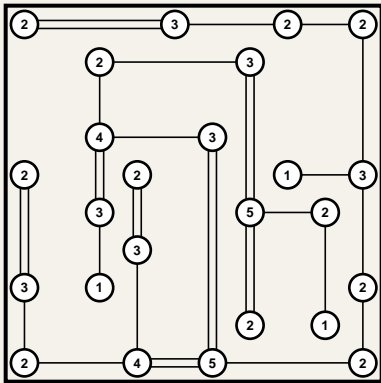
Puzzle 3



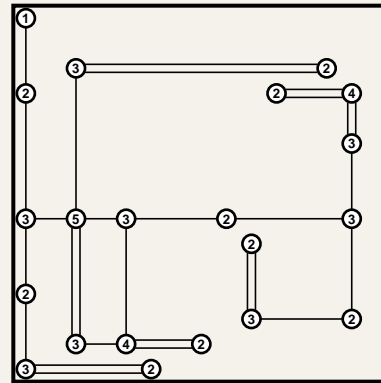
Puzzle 4



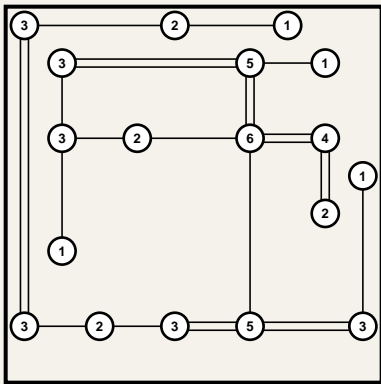
Puzzle 5



Puzzle 6



Puzzle 7



Puzzle 8

